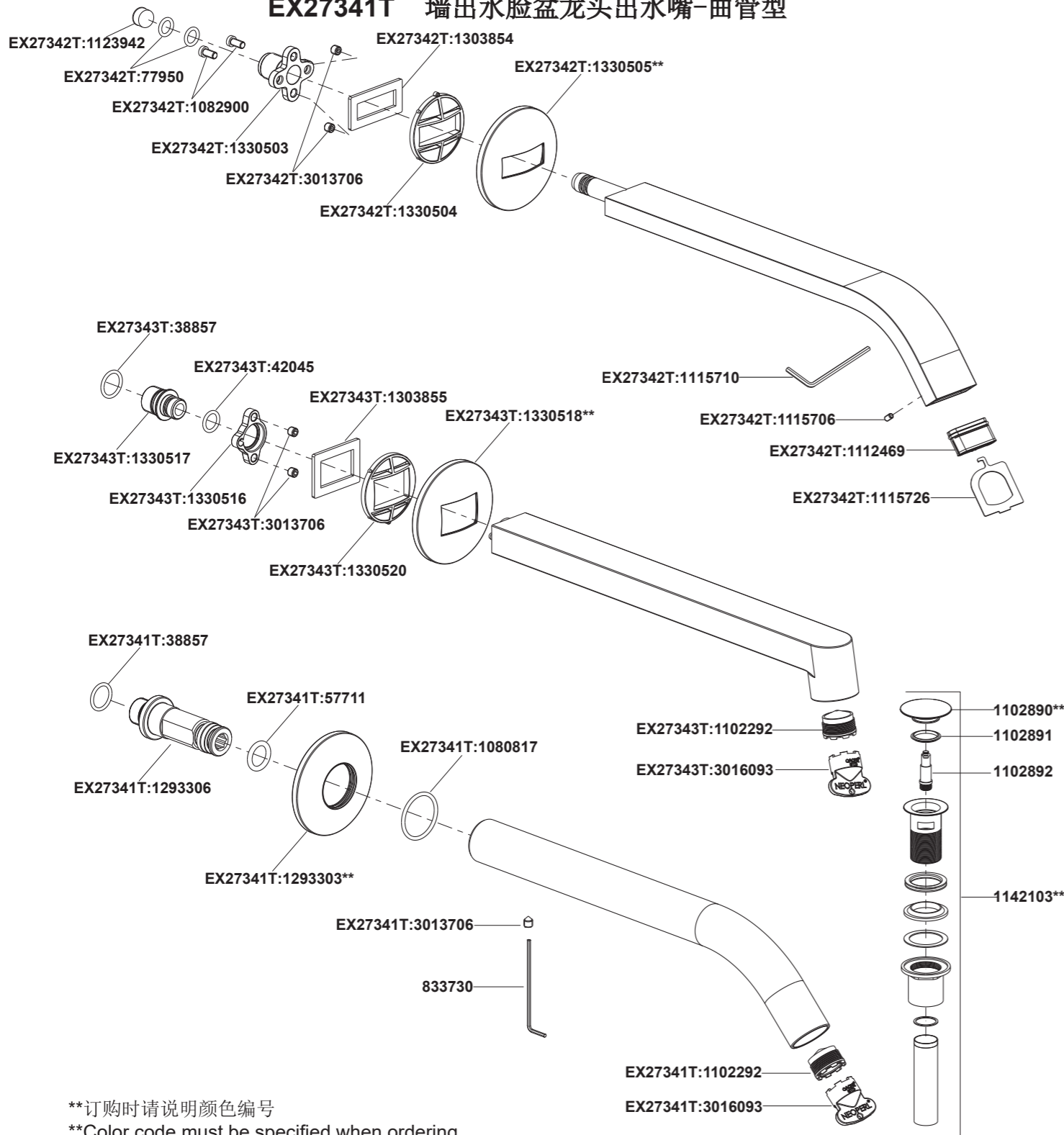


EX27342T 墙出水脸盆龙头出水嘴-曲线型

EX27343T 墙出水脸盆龙头出水嘴-直杆型

EX27341T 墙出水脸盆龙头出水嘴-曲管型



\*\*订购时请说明颜色编号

\*\*Color code must be specified when ordering

EX27342T 墙出水脸盆龙头出水嘴-曲线型

EX27343T 墙出水脸盆龙头出水嘴-直杆型

EX27341T 墙出水脸盆龙头出水嘴-曲管型

### 安装之前

所有的资料是按最新出版的产品资料编写而成。科勒公司保留任何时候不经通知即可改变产品特性、包装或产品可供类型的权利。

说明书包括重要的安装、保养及清洁方面的内容，请把这些资料交给用户阅读。

#### 注意事项：

1. 一定要先彻底冲洗供水管以清除管道中的杂质。
2. 检查供水管有无损坏。如需要，进行替换。
3. 遵守当地管路安装条例。
4. 本产品需与墙出水脸盆龙头阀芯 28138T、28139T-NA或24896T-NA搭配使用。
5. 确保在出水嘴安装之前，墙出水脸盆龙头阀芯 28138T、28139T-NA或24896T-NA已安装完毕。

### BEFORE YOU BEGIN

All information is based on the latest product information available at the time of publication. Kohler Co. reserves the right to make changes in product characteristics, packaging, or availability at any time without notice.

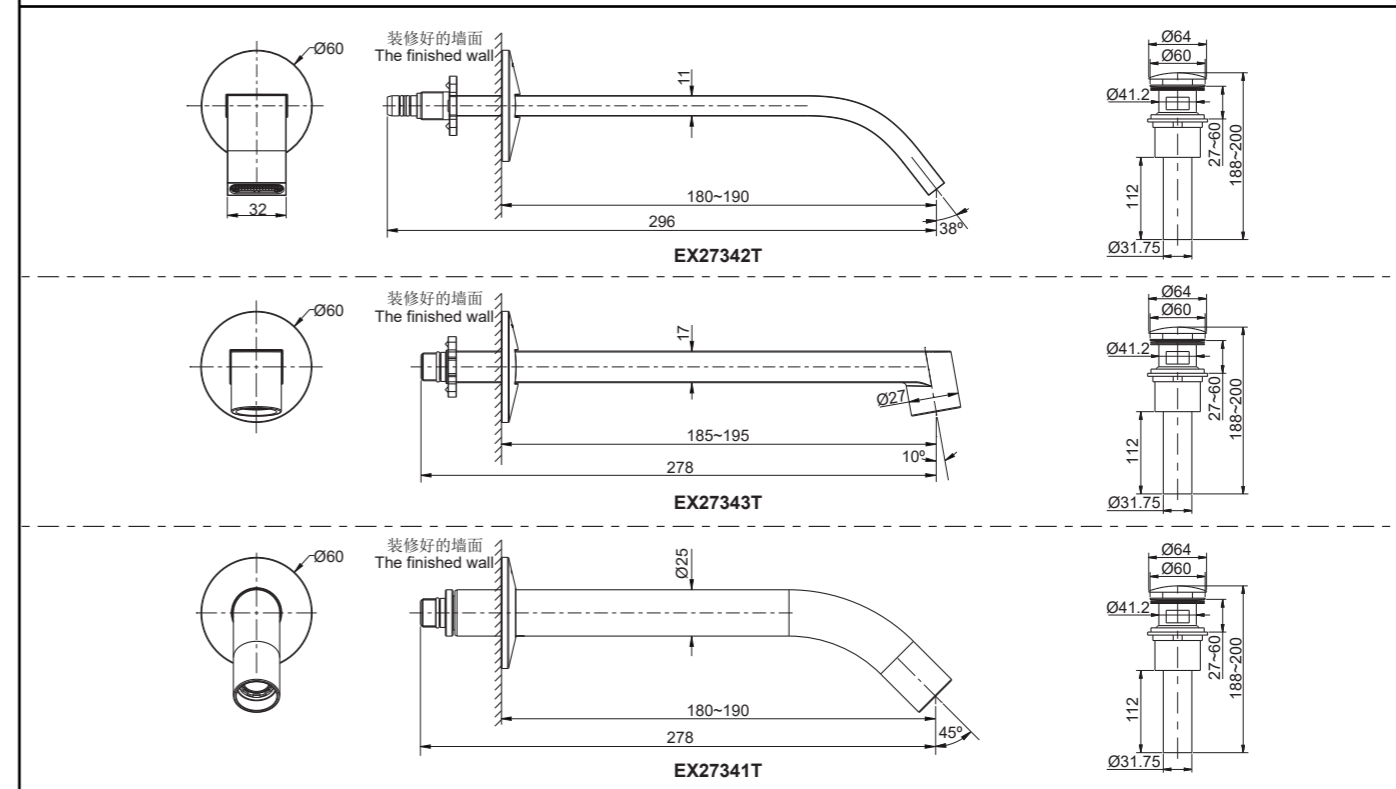
Please leave these instructions for the consumer. They contain important information.

#### NOTES:

1. Flush the water supply pipes thoroughly to remove debris.
2. Inspect the supply tubing for damage. Replace as necessary.
3. Observe local plumbing codes.
4. These products should match with wall-mount lavatory faucet valve 28138T, 28139T-NA or 24896T-NA.
5. Install the valve 28138T, 28139T-NA or 24896T-NA before installing these spouts.

### 安装尺寸

### ROUGH-IN DIMENSIONS



## 安装步骤

### 如何安装出水口

墙壁装修好后，可将出水口的保护套扔掉。

#### 对于EX27342T & EX27343T

将出水口组件(1)旋紧到阀体上直至旋不动。若需调整，反方向旋松接头使出水口朝下。用六角扳手(2)锁紧接头上下螺钉(3)以固定出水口。

向后推装饰罩(4)直至与墙面接触。

#### 对于EX27341T

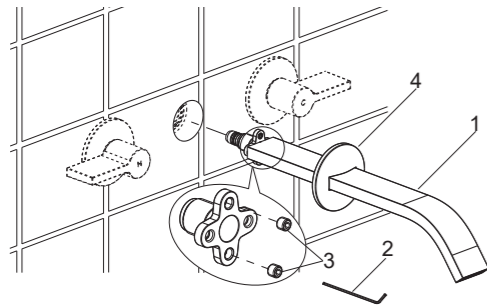
将连接管(5)安装到阀体上。

用六角扳手(2)旋松出水口(6)内的螺钉(8)。

把装饰罩(7)套入出水口。

将出水口出口朝下安装到连接管上，锁紧螺钉，固定出水口。

向后推装饰罩直至与墙面接触。



## INSTALLATION

### How to Install the Spout

Remove and discard the spout protectors after completing the finished wall.

#### For EX27342T & EX27343T

Tighten the spout kit(1) into the valve body until the connector can not go farther. If needed, rotate the spout in opposite direction to adjust the spout outlet downwards. Tighten the screws(3) with hex wrench(2) to secure the spout kit.

Push the escutcheon(4) until it is against the finished wall.

#### For EX27341T

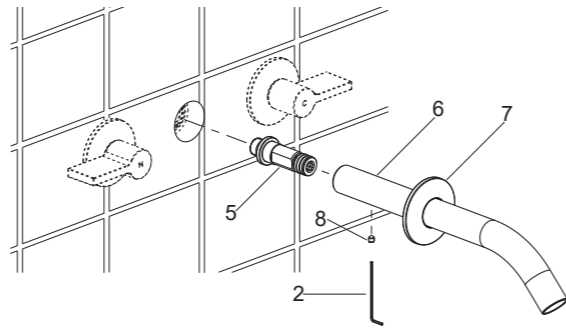
Install the connector(5) into the valve body.

Loosen the screw(8) from the spout kit(6) with hex wrench(2).

Slide the escutcheon(7) onto the spout.

Install the spout kit onto the connector. Make sure the spout outlet downwards. Tighten the screw to secure the spout kit.

Push the escutcheon until it is against the finished wall.



### 如何安装排水器

把锁紧螺母(9)、塑料垫片(10)、橡胶垫圈(11)和尾管(12)从排水本体依次取下。在尾管螺纹处须缠绕足以密封的密封胶带或涂合适的密封胶，并装回排水本体。

把排水本体从脸盆上部孔插入。再依次将橡胶垫圈(小面朝上)、塑料垫片和锁紧螺母从脸盆下方装回到排水本体上。锁紧螺母。

**注意：**如果需要，可直接在法兰盘(13)底面沿周围涂一圈密封油灰或其它密封剂，而不使用橡胶垫片(14)。

在锁紧螺母拧紧后，不可调整排水本体的位置，否则会破坏油灰或密封剂密封。

### How to Install the Drain

Remove the locknut(9), plastic washer(10), rubber gasket(11) and tailpiece(12) from the drain body. Supply enough tape or sealant to tailpiece thread. Reinstall the tailpiece.

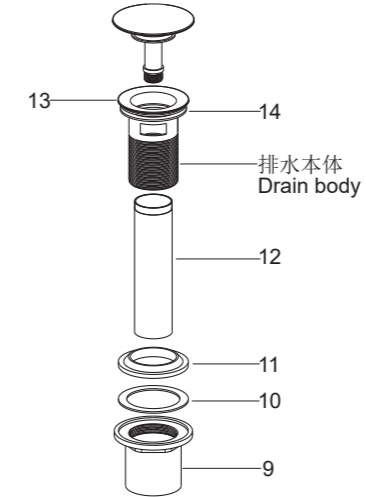
Insert the drain body into the lavatory. Install the rubber gasket(Tapered side up), plastic washer and locknut back to the drain body in turn. Tighten the locknut.

**NOTE:** If needed, apply a ring of plumbers putty or other sealants around the underside of the drain flange(13), instead of using rubber washer(14).

Do not reposition the drain after the locknut is tightened, or you may break the putty or sealant seal.

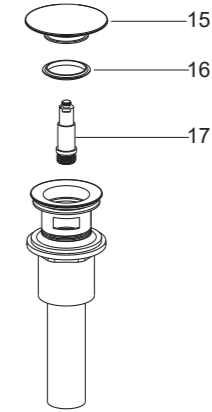
### 如何更换止水垫及活塞组件

逆时针旋下止水塞(15)，然后取出止水垫(16)。更换新的止水垫。逆时针旋下活塞组件(17)，更换新的活塞组件。装回止水垫及止水塞。



### Replace the Washer and Piston Kit

Turn counter-clockwise to remove the stopper(15). Take out washer(16). Replace with a new one. Turn counter-clockwise to remove the piston kit(17). Replace with a new one. Reinstall stopper and washer.



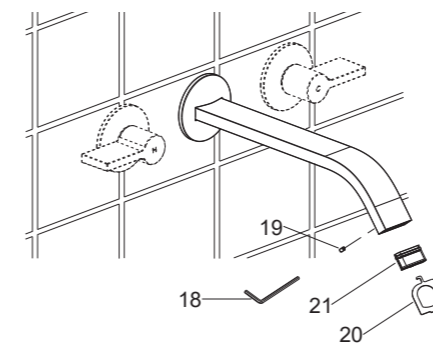
## 安装结果检查

检查并确保所有衔接处都已拧紧。打开排水系统和主要供水源，检查并修理有漏水的接口。

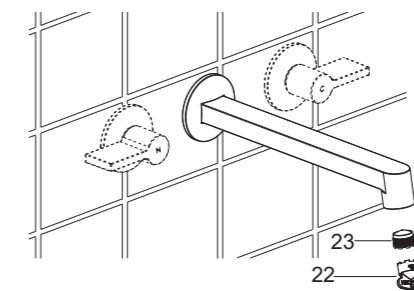
对于EX27342T，用六角扳手(18)旋松出水口内的螺钉(19)，接着用工具(20)将起泡器(21)拆下。

对于EX27343T & EX27341T，用工具(22)将起泡器(23)拆下。

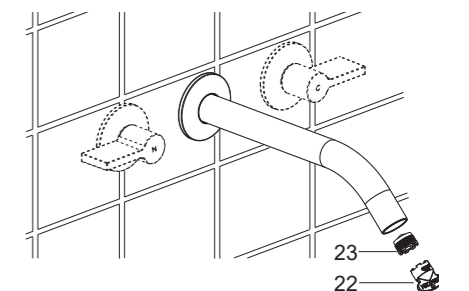
打开水龙头的冷热水，冲洗出水口一分钟以清除杂质。冲洗起泡器，关闭水源，重新装回起泡器。



EX27342T



EX27343T



EX27341T

## INSTALLATION CHECKOUT

Ensure that all connections are tight. Open the drain. Turn on main water supply and check for leaks. Repair as required.

For EX27342T, loosen the screw(19) from spout with hex wrench(18). Remove the aerator(21) with key(20).

For EX27343T & EX27341T, remove the aerator(23) with key(22).

Flush hot and cold water through spout about one minute to remove any debris. Remove any debris from aerator. Turn off water supply and reinstall the aerator.

## 清洗说明

适用于所有加工处理过的表面：以中性肥皂水清洗镀层表面，再以干净的软布彻底擦干整个表面，许多清洁剂，比如氨水、去污粉及洁厕灵等，会对电镀表面造成伤害，切忌使用。

有磨损性的清洁用具或清洁剂也不可适用于科勒牌的水龙头及其配件上。

## CLEANING INSTRUCTIONS

All Finishes: Clean the finish with mild soap and warm water. Wipe entire surface completely dry with clean soft cloth. Many cleaners may contain chemicals, such as ammonia, chlorine, toilet cleaner etc. which could adversely affect the finish and are not recommended for cleaning.

Do not use abrasive cleaners or solvents on Kohler faucets and fittings.